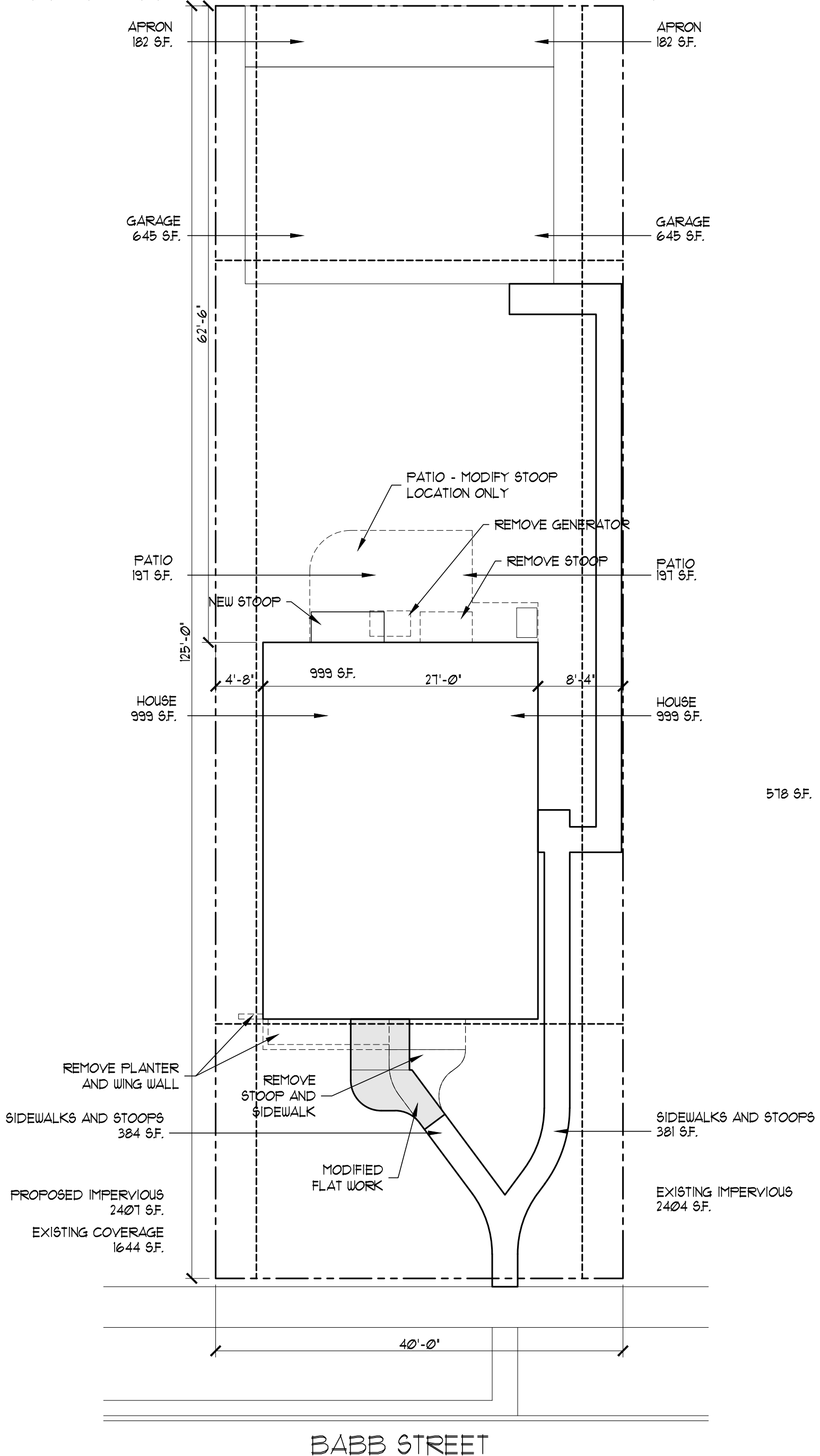


**TERRA ARCHITECTS** PETER AND NATALIE LOPATKIEWICZ  
HOME ADDITION AND RENOVATIONS  
7028 SHERBURN AVENUE, SCOTTSVILLE, MISSOURI 64077  
1-20-2020  
2024  
PROPOSED PLAN  
EL-EW

**TERRA ARCHITECTS** PETER AND NATALIE LOPATKIEWICZ  
HOME ADDITION AND RENOVATIONS  
7028 SHERBURN AVENUE, SCOTTSVILLE, MISSOURI 64077  
1-20-2020  
2024  
PROPOSED PLAN  
EL-NS

PROPOSED

EXISTING



	EXST'G	NEW	TOTAL	ALLW'D
MAX COVERAGE	0.4	1644 S.F.	0 1644 S.F.	2000 S.F.
MAX IMPERVIOUS	0.5	2404 S.F.	3 2407 S.F.	2500 S.F.
MAX F.A.R.	0.6	999 S.F.	1012 S.F.	2011 S.F.